

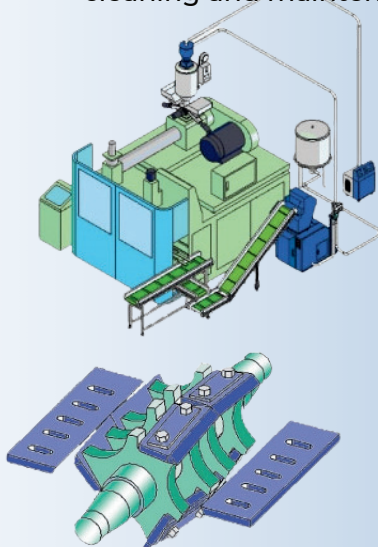
Soundproof Granulating Machine series

FEATERS:

1. Soundproof:
 - a - Two layers mezzanine design on upper hopper.
 - b - Fully closed design on lower body.
 - c - Sound insulated silk made of Heat-Resistant rubber.
2. "SCISSORS" cutting designed.
3. Low power consumption and save energy.
4. Frictional heat & dust minimizing.
5. Optimum access to the cutting chamber for cleaning and maintenance.



KQ-30



KQ-300



MODEL	型式	KQ-160	KQ-250	KQ-7.5	KQ-300
Horse Power(HP)	馬力	2~5HP	3~5HP	5~7.5HP	7.5~10HP
Chamber Size	給料口徑	160 x 250mm	250 x 250mm	300 x 250mm	300 x 280mm
Fix Knief	固定刀數	2pcs	2pcs	2pcs	2pcs
Rotating Knief	迴轉刀數	3pcs	3pcs	6pcs	6pcs
Machine Weight	機器重量	260kgs	450kgs	580kgs	900kgs
Machine Size (LxWxH)	機器尺寸	1080 x 530 x 1460mm	1080 x 580 x 1460mm	1080 x 670 x 1460mm	1250 x 780 x 1500mm
MODEL	型式	KQ-10	KQ-15	KQ-20	KQ-25
Horse Power(HP)	馬力	10~15HP	15~20HP	20~25HP	25~30HP
Chamber Size	給料口徑	380 x 280mm	450 x 320mm	450 x 370mm	480 x 370mm
Fix Knief	固定刀數	2pcs	2pcs	2pcs	2pcs
Rotating Knief	迴轉刀數	6pcs	6pcs	6pcs	6pcs
Machine Weight	機器重量	1000kgs	1300kgs	1450kgs	1500kgs
Machine Size (LxWxH)	機器尺寸	1315 x 870 x 1700mm	1465 x 1200 x 1700mm	1760 x 1150 x 1750mm	1500 x 1180 x 1750mm
MODEL	型式	KQ-30	KQ-60	KQ-75	KQ-100
Horse Power(HP)	馬力	30~40HP	40~50HP	50~75HP	60~100HP
Chamber Size	給料口徑	560 x 450mm	600 x 450mm	750 x 450mm	1000 x 550mm
Fix Knief	固定刀數	2pcs	2pcs	2pcs	2pcs
Rotating Knief	迴轉刀數	12pcs	12pcs	12pcs	18pcs
Machine Weight	機器重量	2000kgs	2500kgs	3100kgs	3800kgs
Machine Size (LxWxH)	機器尺寸	1760 x 1250 x 1980mm	1900 x 1350 x 2160mm	1900 x 1500 x 2160mm	1950 x 1750 x 2100mm

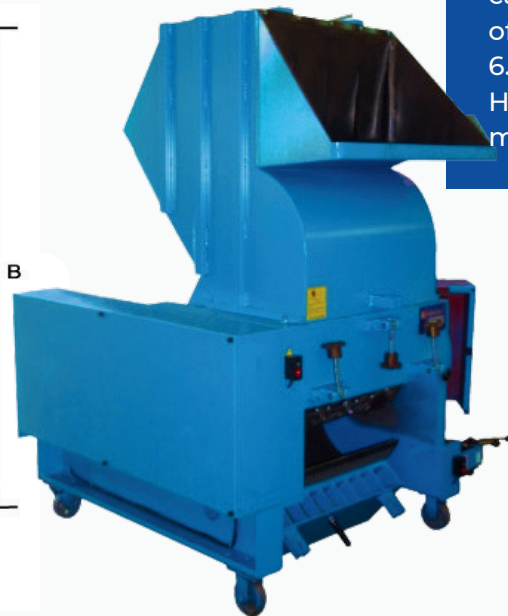
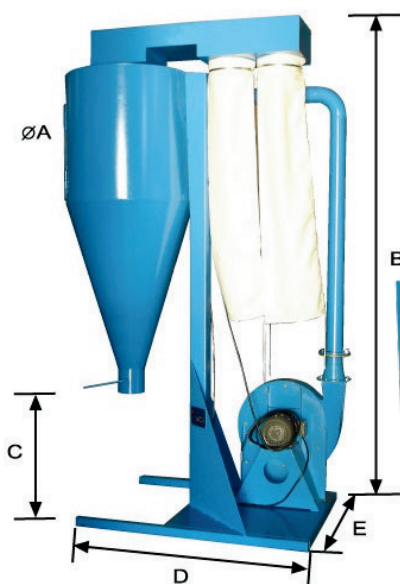
Granulating Machine series

K-60



FEATURES:

1. High safety: One-unit cast with medium carbon steel, safe and strongly-constructed, equipped with a safety switch, assuring operation safety.
2. Easy screen replacement: Easy material changing and cleaning, the fitter screen fits easily.
3. Large granulating capacity: Large feeding inlet and wide blade diameter allow rapid granulating. Large items do not need to be sawed. The unit is designed for the granulating of injection-molded and blow moulded products.
4. Materials never scatter: Curve-shaped feeding hopper protects | processing materials from scattering, quiet operation assured.
5. Movable: The machine base has wide casters for quick moving, making full use of space.
6. Saves electricity: Applying minimum HP, the unit performs efficiently and saves manpower. Sound proof models available.



K-75

Model	型式	K-7.5	K-10	K-15	K-20	K-25
Horse Power(HP)	馬力	60~100HP	50~60HP	40~50HP	30~40HP	25~30HP
Chamber Size	給料口徑(mm)	1000 x 550	750 x 450	600 x 450	560 x 450	480 x 370
No. of blades	刀數	2x18	2x12	2x12	2x12	2x6
Granulating capacity	粉碎能力	1000-1800kg/hr	900-1600kg/hr	650-1300kg/hr	550-1100kg/hr	500-1000kg/hr
Weight	機器重量	3000kgs	2500kgs	1860kgs	1600kgs	1300kgs
Machine Size (LxWxH)	機器尺寸(mm)	2300x 1850 x 2520	1730 x 1640 x 2000	1650 x 1300 x 2050	1730 x 1250 x 1980	1730 x 1250 x 1980

Model	型式	K-30	K-60	K-75	K-100
Horse Power(HP)	馬力	20~25HP	15~20HP	10~15HP	7.5~10HP
Chamber Size	給料口徑(mm)	450 x 370	450 x 320	380 x 280	300 x 280
No. of blades	刀數	2x6	2x6	2x6	2x6
Granulating capacity	粉碎能力	480-960kg/hr	300-700kg/hr	140-400kg/hr	140-350kg/hr
Weight	機器重量	1260kgs	870kgs	700kgs	660kgs
Machine Size (LxWxH)	機器尺寸(mm)	1400 x 1085x 1800	1400 x 1055x 1050	1380 x 830 x 1250	1380 x 720 x 1500

Blower Specification / 風車規格

Model 機型	Power 馬力	mm Aq/h2 風壓	m ³ /m 風量	Input 入口	Output 出口	Weight 重量
TJ-313	3HP	400-450	13-15	Ø100	Ø100	80 kg
TJ-515	5HP	600-650	15-18	Ø100	Ø100	95 kg
TJ-718	7.5HP	800-850	17-20	Ø125	Ø100	120 kg

Material Storing Tank Sizes / 儲料桶規格

Contents 容 量	ØA	ØB	ØC	ØD	Material 材 質
250 kg	Ø650mm	250mm	650mm	1300mm	sus 304
500 kg	Ø775mm	2800mm	650mm	1300mm	sus 304

Robot Friendly Feeding Machine



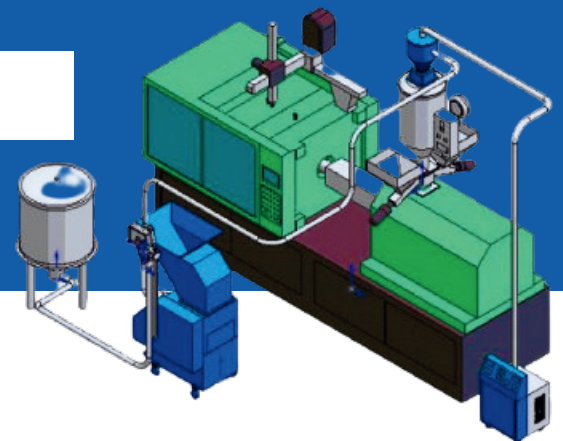
K-300

FEATURES:

Low-speed rotor with three full blades inclined with respect to the fixed blade for a "scissors" cutting effect which reduces both stress and noise.

Double-cut reversible blades for maximum utilisation of blades and minimised spares costs.

Highly efficient cut. Less noise & Less heat.



Hopper dryer

K-250



Proportioning valve

Auto loader

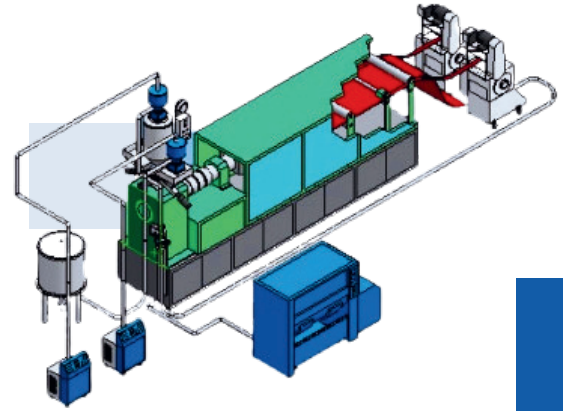
Model	型式	K-160	K-250	K-300	K-320
Horse Power(HP)	馬力	2HP	3HP~5HP	3HP~5HP	3HP~7.5HP
Chamber size	給料口徑	160X250	250X250	300X250	320X270
Weight	重量	200kgs	280kgs	360kgs	420kgs
Machine size	機械尺寸(mm)	800X435X1250	800X525X1250	800X575X1250	930X640X1350

Smart Application Solutions



FEATURES:

1. Automatic fitting of rollers to the thickness of film trims.
2. Electric motors with high sliding torque prevent film break down.
3. Traction group driven by adjustable inverter system with constant pull.



FEATURES:

Remove powder, promote quality of product, decrease defective rate. Suitable for transparent and pure white materials; better recycle effect for pure white materials.



FEATURES:

Low rotative speed, low noise level, no screen, production of even gran. The Alloy steel on disc paverful speed cutting action slice through the hardest materials.



Film Edge Trim For Medium-High Thickness / 邊料回收機

Specification / 規格

Model	型式	KF-160	KF-250	KF-300	KF-750	KF-1000
Max Edge Width	最大料寬	160mm	250mm	300mm	750mm	1000mm
Feed Speed	進料速度	0~30	0~30	0~30	0~60	0~60
Chamber size	給料口徑	160X250	250X250	300X250	750X450	1000X500
Fix Knief	固定刀	2	2	2	2	2
Rotating Knief	迴轉刀	3	3	6	12	18
Weight	重量	250kgs	360kgs	400kgs	2200kgs	3000kgs
Machine size	機械尺寸(mm)	900X530X1500	900X620X1500	900X610X1500	1700X1650X2000	2300X1850X2000

Low-Speed Granulating Machine / 慢速靜音粉碎機

Specification / 規格

Model	型式	KH-180	KH-280	KH-380	KH-480
hp	馬力	2HP	2HP	3HP	5HP
Rotor speed	轉速	30	30	30	30
Chamber size	給料口徑	175X280	270X280	365X280	460X280
Weight	重量	195kgs	225kgs	300kgs	450kgs
Machine size	機械尺寸(mm)	500X480X950	550X550X950	550X650X950	550X780X950

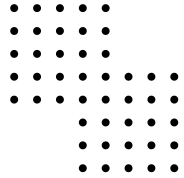
Shaking Screening Machine / 震動篩選機

Specification / 規格

Model	型式	KK-100	KK-200	KK-300
hp	馬力	1/8HP	1/8HP	1/8HP
Weight	重量	60kgs	70kgs	90kgs
Machine size	機械尺寸(mm)	1000X500X1200	1000X500X1250	1000X500X1300

SHREDDER

Patent-designed special type blade, first and only one in the world.
Single shaft design, Low noise, Low power.
This machine has been running for 5 years and no need to replace & grind the blade as one of KOWIn's project references.



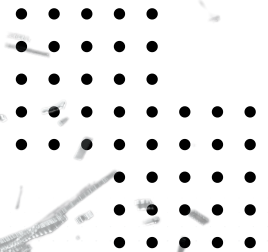
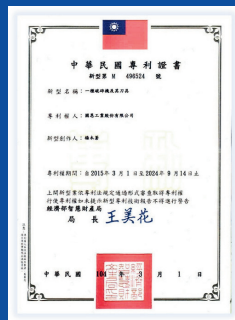
Main function:

1. Bottle & tank get shredded directly
2. Large object & pallet get shredded directly
3. Wood gets shredded directly
4. Film & bag get shredded directly
5. Pipe gets shredded directly



INVENTION PATENT DESIGNED

PATENT NO :
NO. I544964
NO. M496524



MODEL	MOTOR	CAPACITY (HOUR)
KOWIn-345	37.5KW	800-1200 KGS
KOWIn-346	75KW	3000-5000 KGS

CRUSHER

FEATERS:

- MACHINE CONTINUOUSLY RUNNING 24 HRS / 365 DAYS.
- LOW MAINTENANCE COST.
- LOW NOISE.
- ENERGY-SAVING.
- FEEDING HOPPER REMOVE BY HYDRAULIC. SAFETY AND USER-FRIENDLY, EASY MAINTENANCE AND EASY CLEANING DESIGN.
- PATENTED FIXED BLADE AND ROTARY BLADE DESIGN. IT CRUSHES MATERIALS RAPIDLY, AND PRODUCES LESS POWDER.
- ENERGY-SAVING AND ECO-FRIENDLY MACHINERY.
- KOWIN CRUSHER SAVES YOUR ENERGY COST AND REDUCES MORE CO₂ EMISSION THAN OTHER CRUSHER.



5 WORLD-WIDE
PATENTED
MACHINERY.
FEATURES ITS
FIXED AND ROTARY
BLADE SET DESIGN.
LOW NOISE WHILE
PRODUCING.
MEET THE
INTERNATIONAL
SAFETY
REQUIREMENTS.

MODEL	POWER
KOWIn-N377	93.75KW
KOWIn-N378	112.5KW
KOWIn-N379	150KW